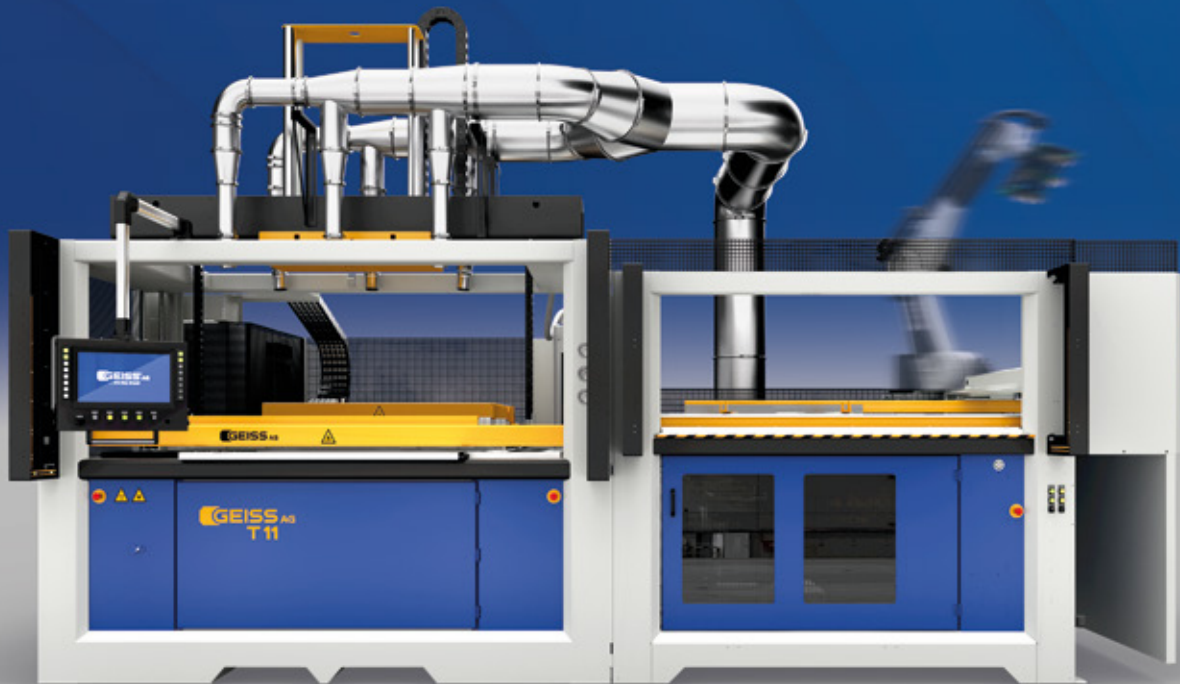


T11 THERMOFORMING MACHINE & T11 AUTOMATION



ADVANCED FORMING



T11 | THERMOFORMING MACHINE

The giant in thermoforming

Experience the revolution in thermoforming with the GEISS T11 Thermoforming Machine.

The T11 represents GEISS's cutting-edge technology in thermoforming. As our most powerful thermoforming machine, it impresses with shortened machine cycles and a compact design. Additionally, the spacious interior accommodates numerous GEISS options.

Benefits



Smart setup

After entering tool parameters, the machine adjusts itself automatically.



Highest efficiency

Fast cycles increase your production capacity.



Individual heater control

Independent control of both heater banks.



Low energy consumption

Efficient energy usage with the highest productivity.



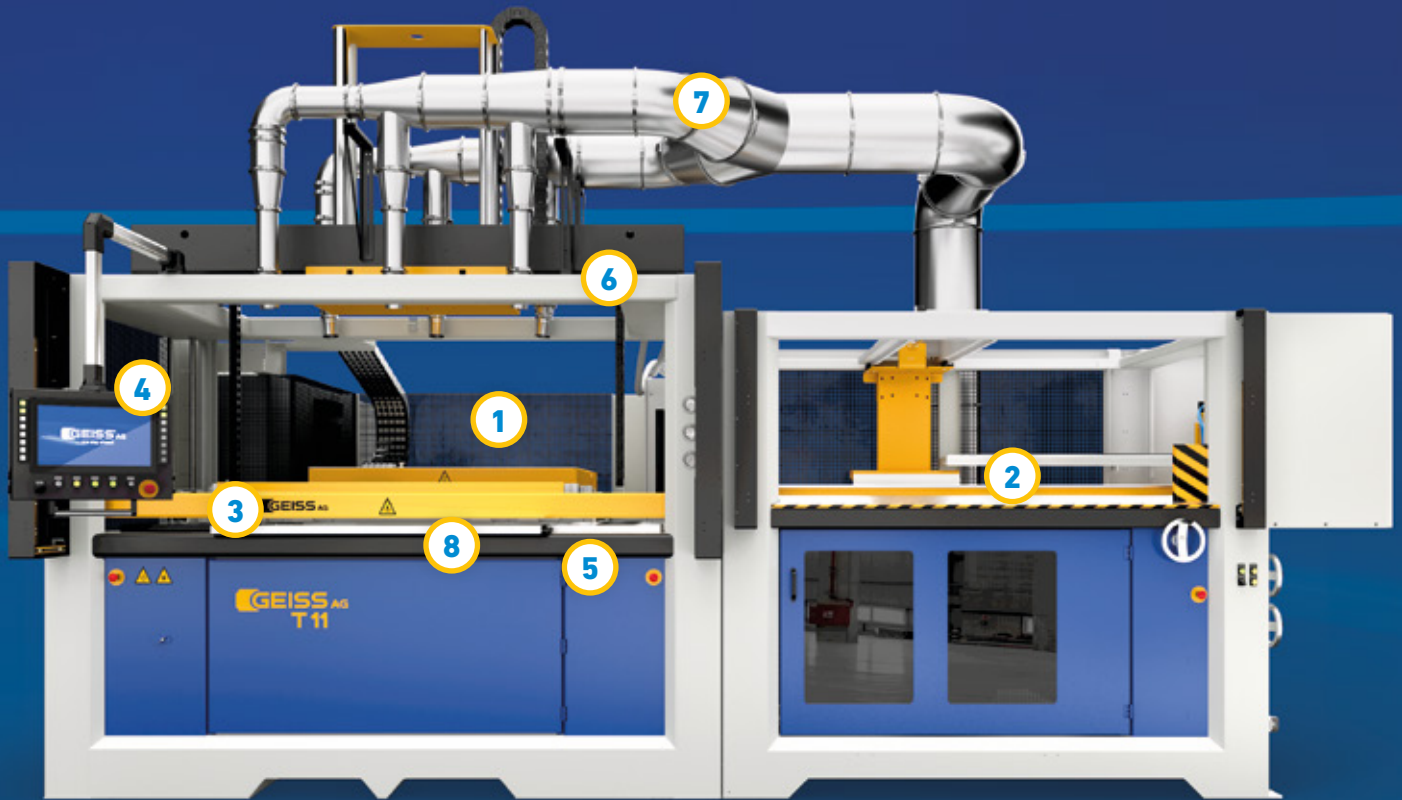
Numerous configurations

We tailor the machine to your individual requirements.



More details on our website

t11.geiss-ttt.com/en/t11



Highlights

1

Short heating time

Fast heating of the sheet using various types of halogen heating elements.

2

Sheet automation

For loading of plastic sheets for fully automatic production.

3

Stepless adjustment

Stepless adjustment of window plates and clamping frames.

4

User-friendly

Easy handling due to a newly designed user interface.

5

Direct drive in all main axes

Eliminating the need for mechanical synchronizations.

6

Machine housing

Space-saving for maximum utilization of processing areas.

7

Centralized cooling

Ground-mounted for highly efficient cooling performance.

8

Single heater element control

In both top and bottom heaters, each element is individually adjustable.



NEW CONTROL PANEL FOR THE T11

As easy as a smartphone

The touchscreen interface and the lifelike representation of all machine components make control a breeze: simply tap on the desired component and make adjustments in no time. Inputting tool dimensions is sufficient, and the T11 takes care of the rest, from final positions to travel paths. The innovative heating control enables specific heating zones, supported by clear process data visualization.



Touchscreen control

Intuitive operation through a modern touchscreen interface.



Realistic representation

Detailed display of all machine components for precise control.



Custom display options

Personalized display options for a clear overview.

Component visualization

Thanks to the visualization of all component parts, the machine operator always maintains an overview of the travel paths and can continuously optimize the production cycle.



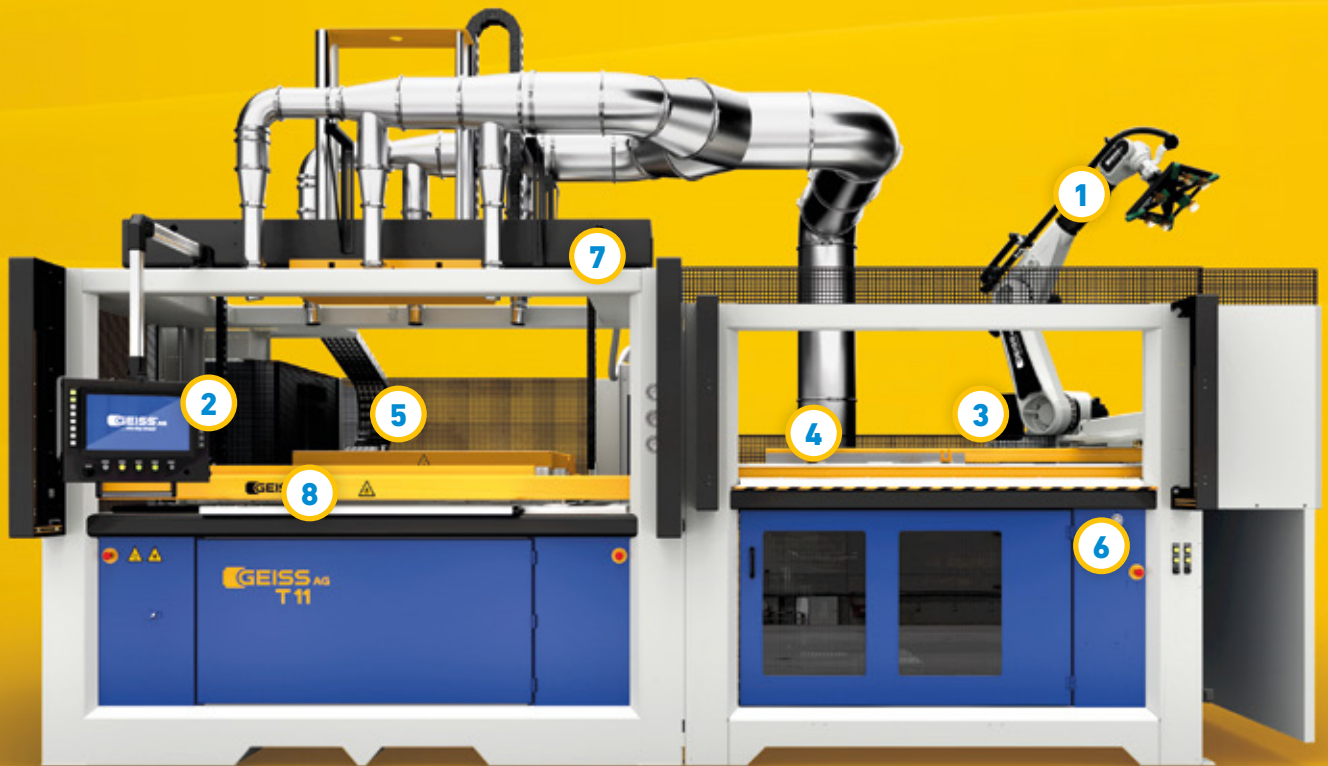
Production screen

With the customizable production display, the machine operator can choose which key parameters they wish to see. This ensures they always have a clear overview of the ongoing production.

Parameter calculation

Based on the entered tool and material dimensions, the T11 automatically determines all parameters for travel paths and end positions. This simplifies the setup process and significantly accelerates it.





Highlights

1

Robot arm

Highly precise for fast and accurate handling.

2

Control

Intuitive control panel for the machine and robot.

3

Integration

Seamless connection between the robot and machines.

4

Product processing

Automated product ejection and storage after processing.

5

Fast heating

Fast heating of the sheet using various types of halogen heating elements.

6

Sheet automation

For loading of plastic sheets for fully automatic production.

7

Machine housing

Space-saving for maximum utilization of processing areas.

8

Stepless adjustment

Stepless adjustment of window plates and clamping frames.

T11 AUTOMATION

High-performance duo

A combination of top-notch forming technology and state-of-the-art robotics – for optimized handling and revolutionized processes.

With the T11 thermoforming machine, we already set high standards in the field of thermoforming. But with the integration of advanced robotics in the T11 Automation, we take it a step further – true to our motto “one step ahead.” In the T11 Automation, we seamlessly combine the top-notch performance of the T11 with advanced robotics.

Benefits



Versatility in perfection

Edge trimming, parts stacking, or handling large components.



Easy control

Intuitive, user-friendly operation without complicated robot programming.



Compact design

Experience maximum performance in minimal space.



Intelligent robotic system

The robot's end positions are determined by the product parameters.



Everything from one source

You only need one reliable point of contact.



All info about T11 Automation

t11.geiss-ttt.com/en/t11-automation



More information

Visit us online and find more
information about the T11 at
t11.geiss-ttt.com



GEISS AG

Industriestraße 2 | 96145 Seßlach
Tel. (+49) 9569 9221 0 | sales@geiss-ttt.com