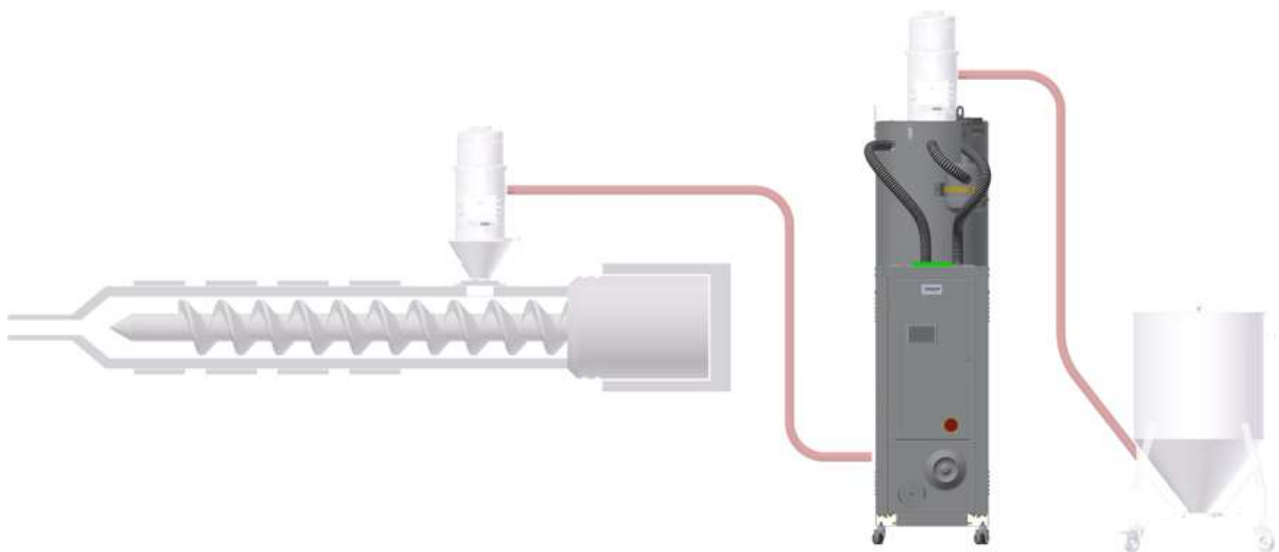




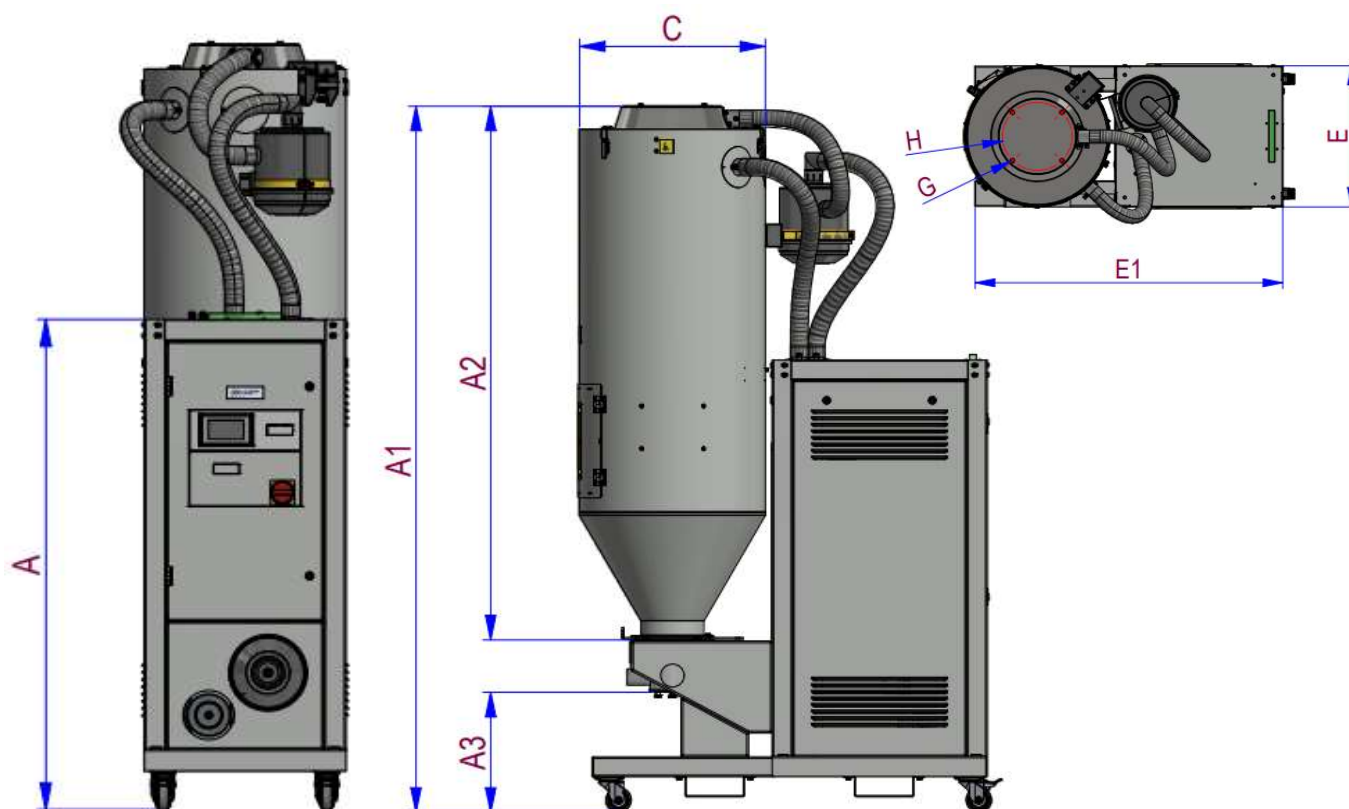
# WDC.E 50÷150 series

**NEW MAP**  
never stop innovating





WDC.E		WDC50.E/HT-100	WDC100.E/HT-150	WDC150.E/HT-200
Portata massima <i>Maximum flow</i>	m <sup>3</sup> /h	50	100	150
Volume tramoggia <i>Hopper capacity</i>	dm <sup>3</sup>	100	150	200
Carrello <i>Trolley</i>	-	Si/Yes	Si/Yes	Si/Yes
Tensione & frequenza <i>Voltage &amp; frequency</i>	-	400V/50Hz/3PH+N	400V/50Hz/3PH+N	400V/50Hz/3PH+N
Potenza <i>Power</i>	kW	8	8	8
Campo di temperature MT <i>MT temperature range</i>	°C	70 - 150	70 - 150	70 - 150
Campo di temperature HT <i>HT temperature range</i>	°C	60 - 170	60 - 170	60 - 170
Riscaldamento processo <i>Process heating</i>	kW	4.5	4.5	4.5
Tubi di collegamento <i>Connecting pipes</i>	ø mm	51	51	51
Temperatura dell'acqua in ingresso <i>Inlet water temperature</i>	°C	18	18	18



WDC.E		WDC50.E/HT-100	WDC100.E/HT-150	WDC150.E/HT-200
A	mm	1375	1375	1375
A1	mm	1750	1800	2100
A2	mm	975	1275	1580
A3	mm	630	365	365
C (ø)	mm	550	550	550
E	mm	550	550	550
E1	mm	1167	1167	1167
G	mm	M6	M6	M6
H (ø)	mm	265	265	265