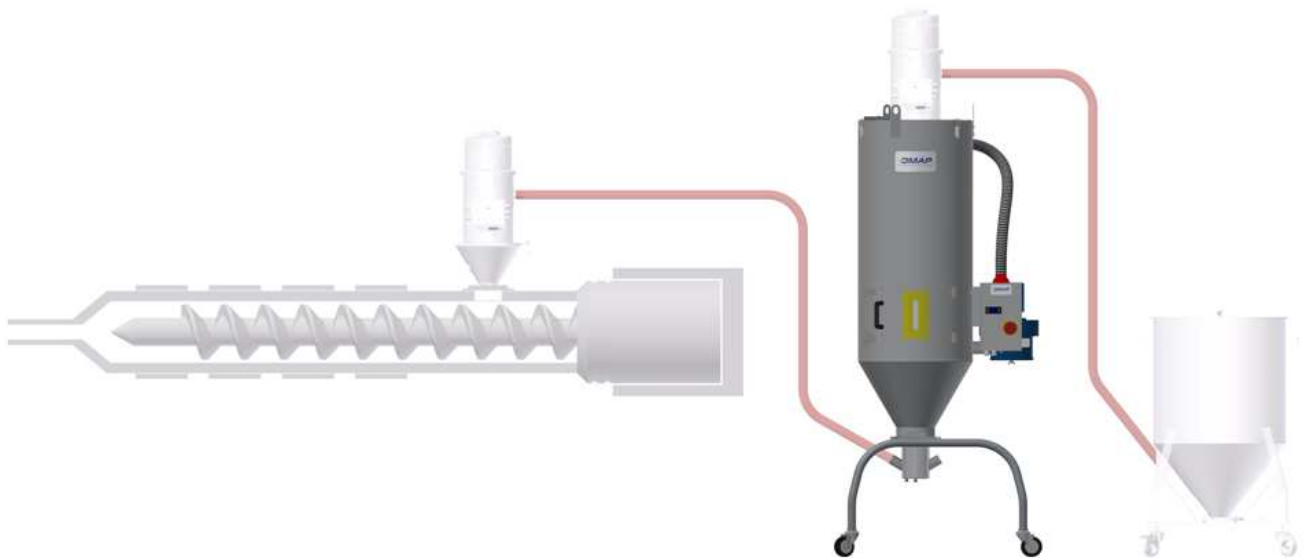




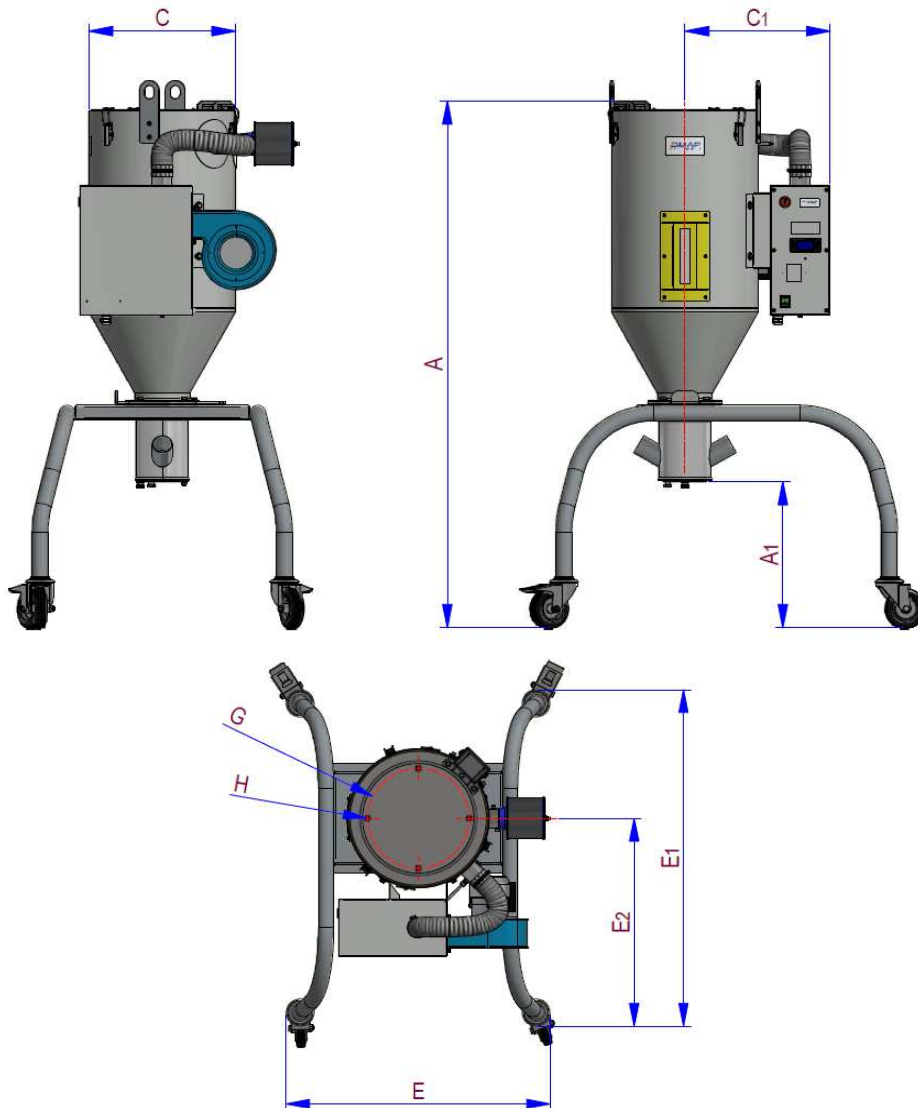
HDC series

**NEW** **MAP**  
never stop innovating





HDC		HDC30	HDC50	HDC75	HDC100	HDC100H	HDC150	HDC200
Portata d'aria Air flow	m <sup>3</sup> /h	70	70	70	70	170	170	170
Potenza soffiante Blower power	W	90	90	90	90	250	250	250
Capacità riscaldamento Heating power	kW	2.8	2.8	2.8	2.8	3.0	3.0	3.0
Frequenza Voltaggio	-	230V/1/50Hz	230V/1/50Hz	230V/1/50Hz	230V/1/50Hz	400V/3+N/50Hz	400V/3+N/50Hz	400V/3+N/50Hz
Volume tramoggia Hopper volume	dm <sup>3</sup>	30	50	75	100	100	150	200



HDC		HDC30	HDC50	HDC75	HDC100	HDC100H	HDC150	HDC200
A	mm	1351	1345	1545	1545	1545	1845	2145
A1	mm	376	376	376	376	376	376	376
C (ø)	mm	366	435	435	468	590	590	590
C1	mm	370	490	490	550	550	550	550
E	mm	687	687	687	687	687	687	687
E1	mm	892	892	892	892	892	892	892
E2	mm	551	551	551	551	551	551	551
G (ø)	mm	265	265	265	265	265	265	265
H (M)	-	6	6	6	6	6	6	6