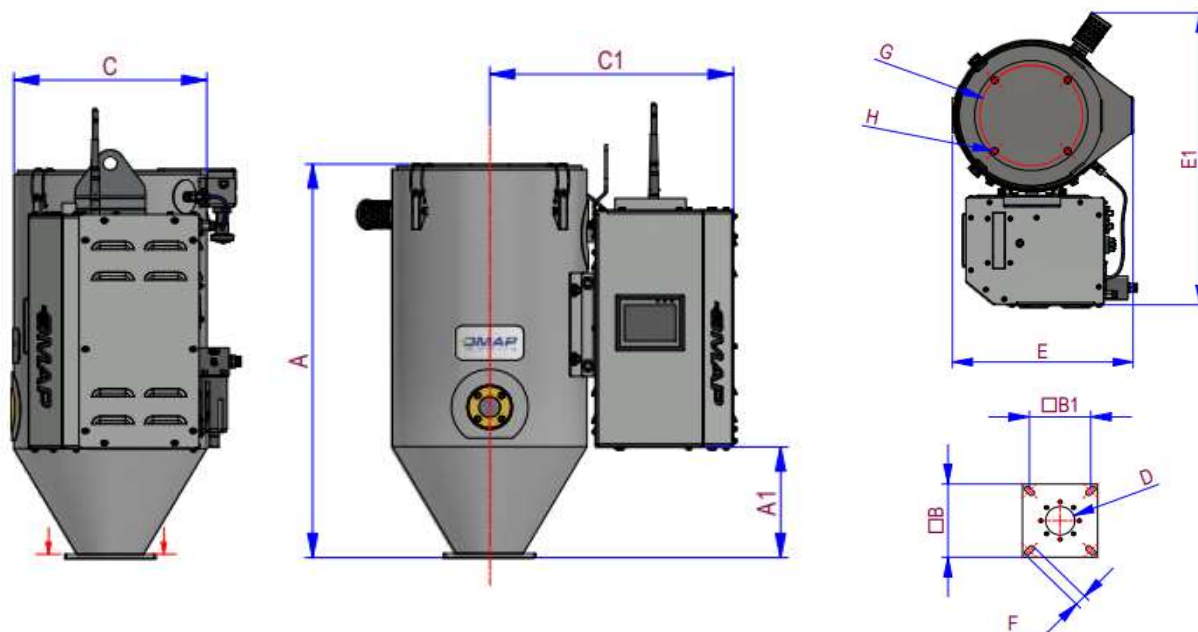




AD.E/ADK.E series

		AD.E/ADK.E5	AD.E/ADK.E15	AD.E/ADK.E30	AD.E/ADK.E50
Volume tramoggia <i>Hopper volume</i>	dm ³	5	15	30	50
Portata processo <i>Process airflow</i>	Nm ³ /h	5	10	14	18
Dew Point minimo AD <i>AD Minimum Dew Point</i>	°C	-20	-20	-20	-20
Dew Point minimo ADK <i>ADK Minimum Dew Point</i>	°C	-50	-50	-50	-50
Temperatura processo <i>Process temperature</i>	°C	50 ÷ 150	50 ÷ 150	50 ÷ 150	50 ÷ 150
Potenza riscaldamento <i>Heating power</i>	kW	0.5	0.5	0.9	0.9
Totale potenza installata <i>Total installed power</i>	kW	0.6	0.6	1	1
Aria compressa <i>Compressed air</i>	bar	6,5 ÷ 7,5	6,5 ÷ 7,5	6,5 ÷ 7,5	6,5 ÷ 7,5
Tensione <i>Voltage</i>	-	230V/1ph/50-60Hz	230V/1ph/50-60Hz	230V/1ph/50-60Hz	230V/1ph/50-60Hz
Peso AD <i>AD Weight</i>	kg	15	16	20	24
Peso ADK <i>ADK Weight</i>	kg	19	20	25	29



		AD.E/ADK.E5	AD.E/ADK.E15	AD.E/ADK.E30	AD.E/ADK.E50
A	mm	415	572	707	868
A1	mm	33	160	247	406
B	mm	130x130	130x130	130x130	130x130
B1	mm	106x106	106x106	106x106	106x106
C (∅)	mm	238	274	334	372
C1	mm	323	343	377	398
D (∅)	mm	50	50	50	50
E	mm	277	319	381	423
E1	mm	499	529	569	605
F	mm	20x9	20x9	20x9	20x9
G (∅)	mm	182	182	265	265
H (M)	-	6	6	6	6