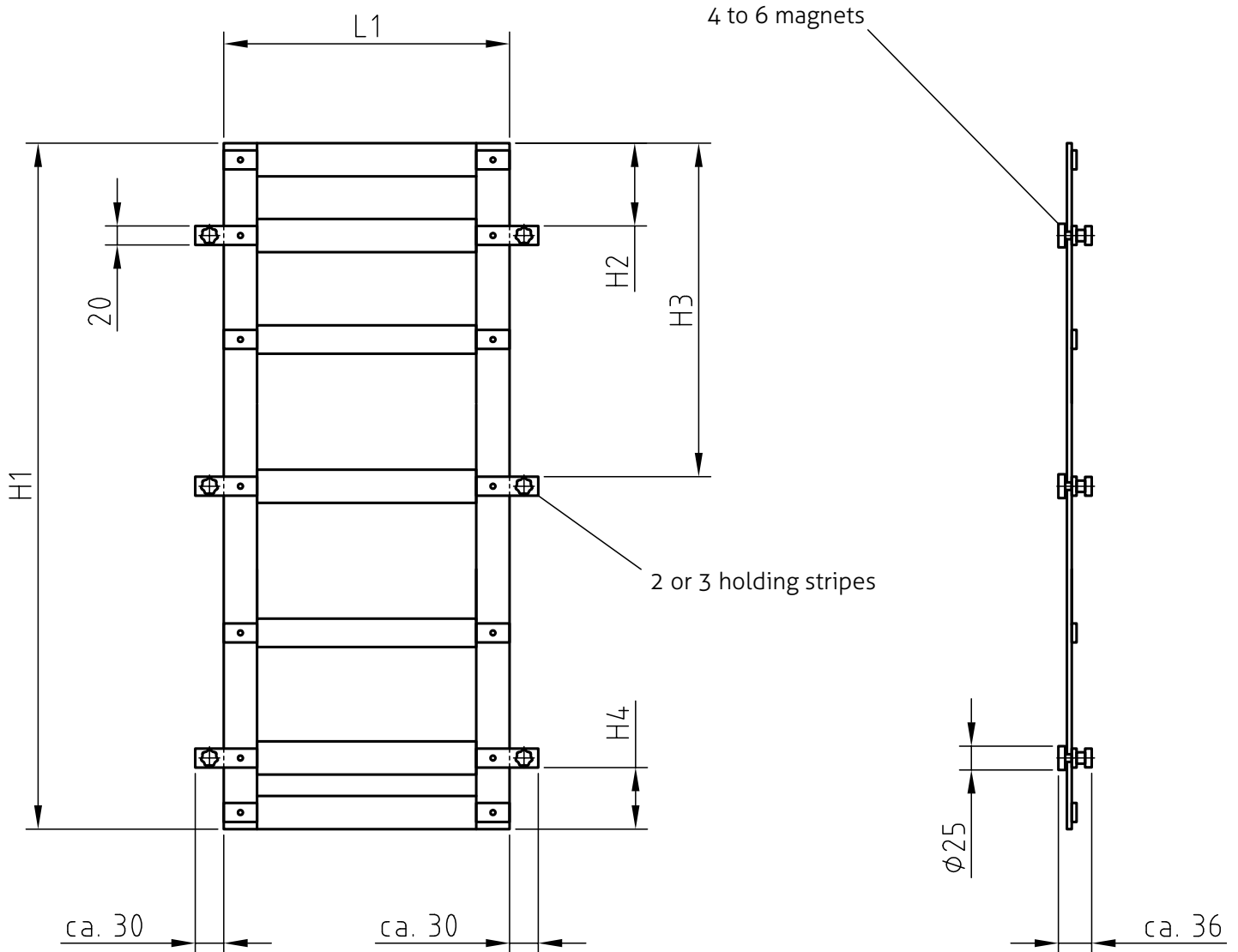


Company
Street, No.
ZIP
City

Contact person
Phone
Mail
Quantity (piece)



Length

$L1 =$ mm

Height

$H1 =$ mm

Height of holding stripe 1

$H2 =$ mm

Height of holding stripe 2 (just for total height > 300 mm)

$H3 =$ mm

Height of holding stripe 3

$H4 =$ mm