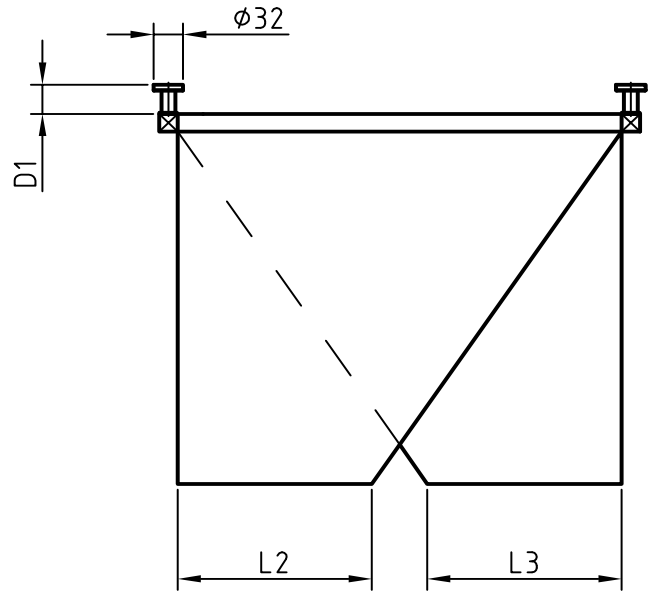
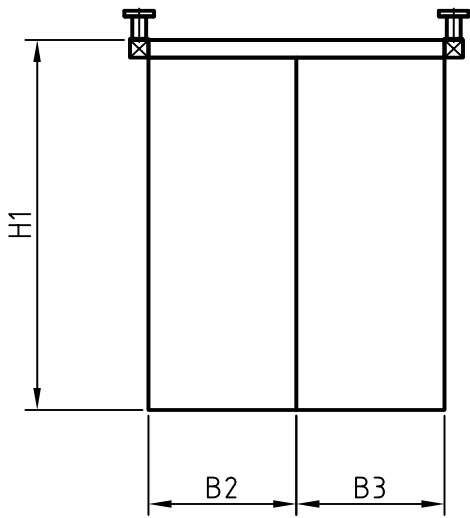
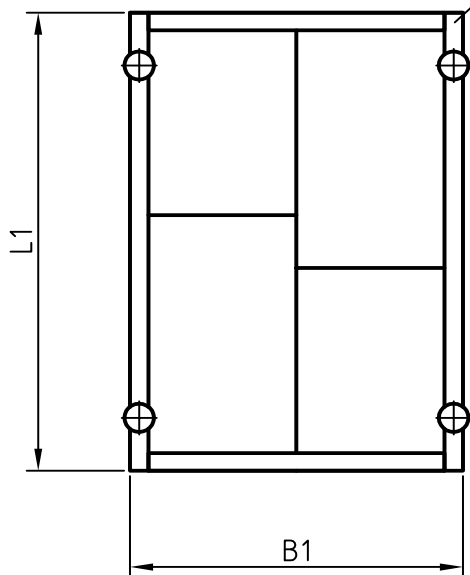


Company
Street, No.
ZIP
City

Contact person
Phone
Mail
Quantity (piece)



Alu-profile
20 x 20 mm



Width	B1=	mm
Width of runout 1	B2=	mm
Width of runout 2	B3=	mm
Distance to the tool (min. 8 mm magnetheight)	D1=	mm
Height	H1=	mm
Length	L1=	mm
Length of runout 1	L2=	mm
Length of runout 2	L3=	mm

Size of the moulded parts (L x W x H)

mm

Material:

FM100.001 (PE, blue)

FM100.003 (PVC, blue)

FM100.005 (PP, white, FDA)

FM100.002 (PVC, silver)

FM100.004 (Kevlar, silver)

FM100.006 (PBT, white)