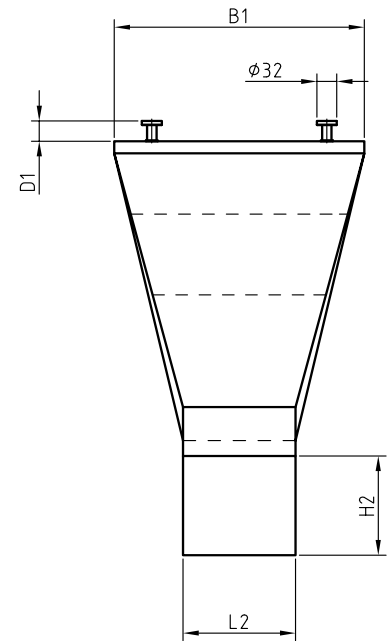
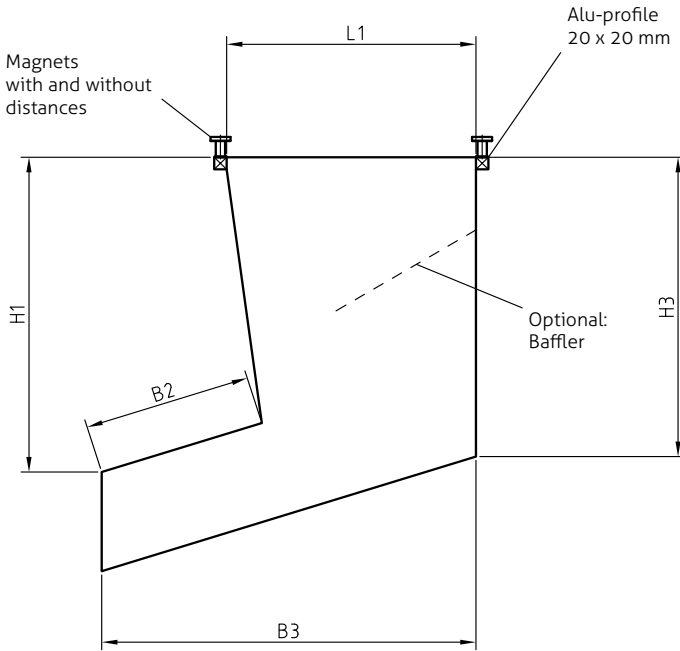


Company  
Street, No.  
ZIP  
City

Contact person  
Phone  
Mail  
Quantity (piece)



Width	B1=	mm
Width of the runout top	B2=	mm
Width of the runout bottom	B3=	mm
Distance to the tool (min. 8 mm magnetheight)	D1=	mm
Height from top of the funnel to the top of the runout	H1=	mm
Height of runout	H2=	mm
Body height	H3=	mm
Length	L1=	mm
Length of runout	L2=	mm

Options:

Baffle	Size of the moulded parts (L x W x H)
Changeable base	mm

Material:

FM100.001 (PE, blue)	FM100.003 (PVC, blue)	FM100.005 (PP, white, FDA)
FM100.002 (PVC, silver)	FM100.004 (Kevlar, silver)	FM100.006 (PBT, white)