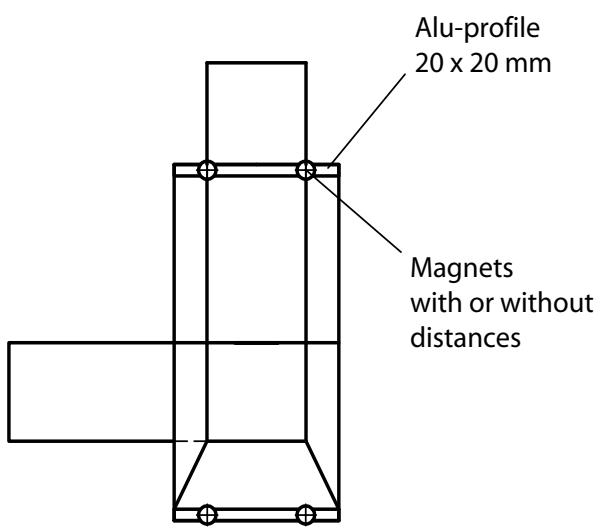
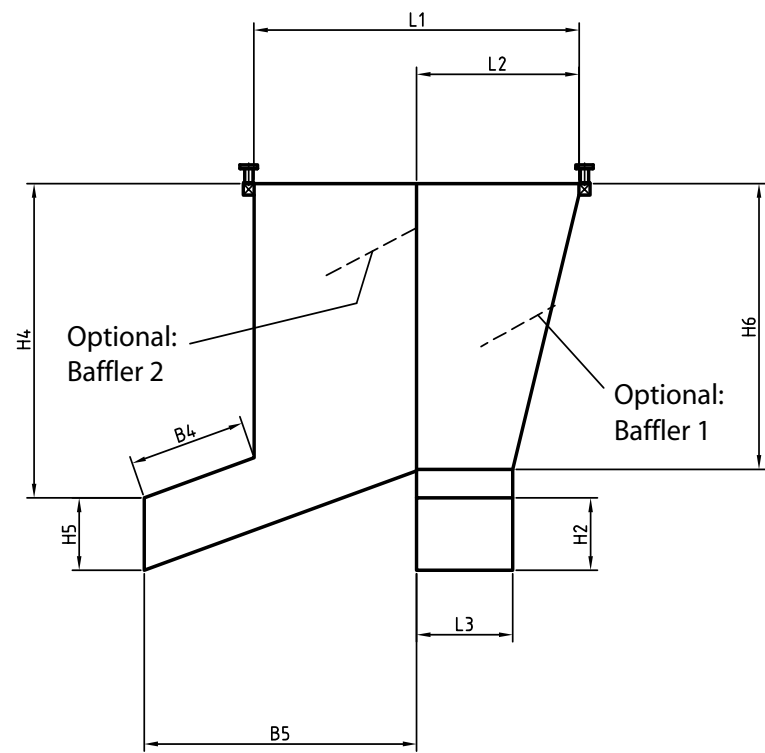
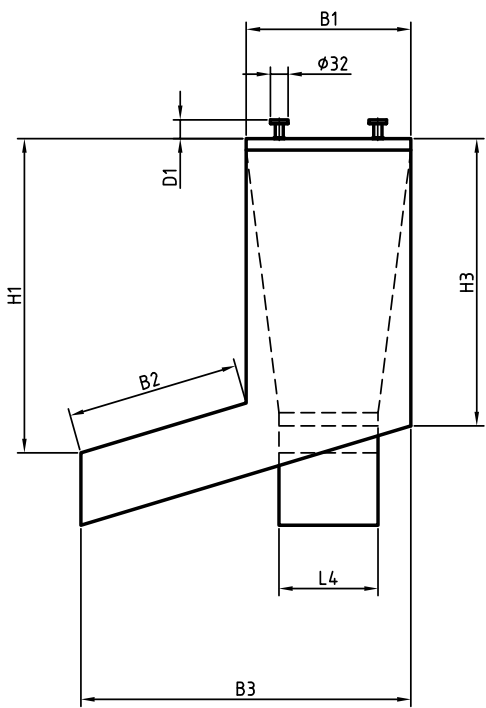


Company  
 Street, No.  
 ZIP  
 City

Contact person  
 Phone  
 Mail  
 Quantity (piece)



Width	B1=	mm
Length of runout top (Funnel 1)	B2=	mm
Length of runout bottom (Funnel 1)	B3=	mm
Length of runout top (Funnel 2)	B4=	mm
Length of runout bottom (Funnel 2)	B5=	mm
Distance to the tool (min. 8 mm magnetheight)	D1=	mm
Height from top of the funnel to the top of the runout (Funnel 1)	H1=	mm
Height of runout (Funnel 1)	H2=	mm
Body height (Funnel 1)	H3=	mm
Height from top of the funnel to the top of the runout (Funnel 2)	H4=	mm
Height of runout (Funnel 2)	H5=	mm
Body height (Funnel 2)	H6=	mm
Length	L1=	mm
Length top (Funnel 1)	L2=	mm
Length of runout (Funnel 1)	L3=	mm
Length of runout (Funnel 2)	L4=	mm

Options:

Baffler 1	Size of the moulded parts (L x W x H)	
Baffler 2		mm
Changeable base		

Material:

FM100.001 (PE, blue)	FM100.003 (PVC, blue)	FM100.005 (PP, white, FDA)
FM100.002 (PVC, silver)	FM100.004 (Kevlar, silver)	FM100.006 (PBT, white)